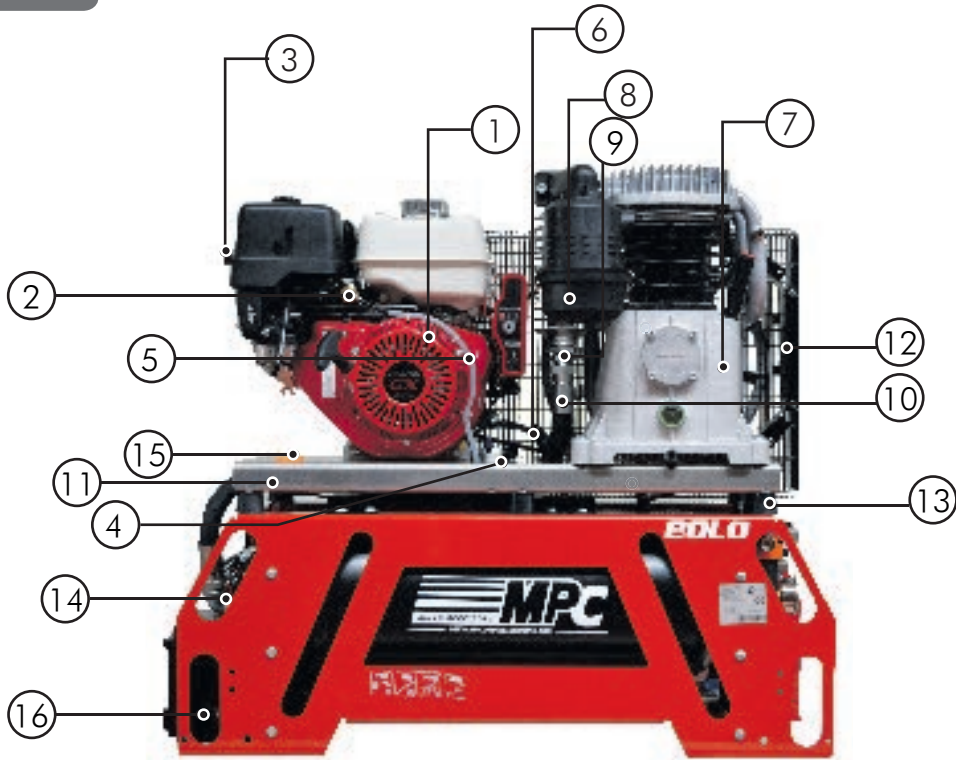
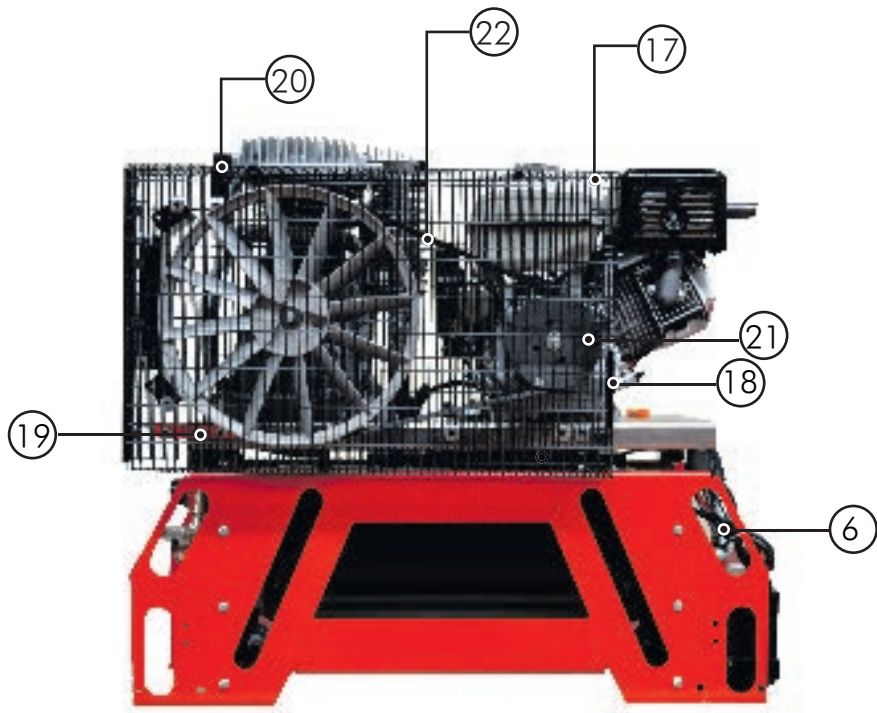


**COD. 1.101.216**

**A**



**B**



**COD. 1.101.216**
**A**

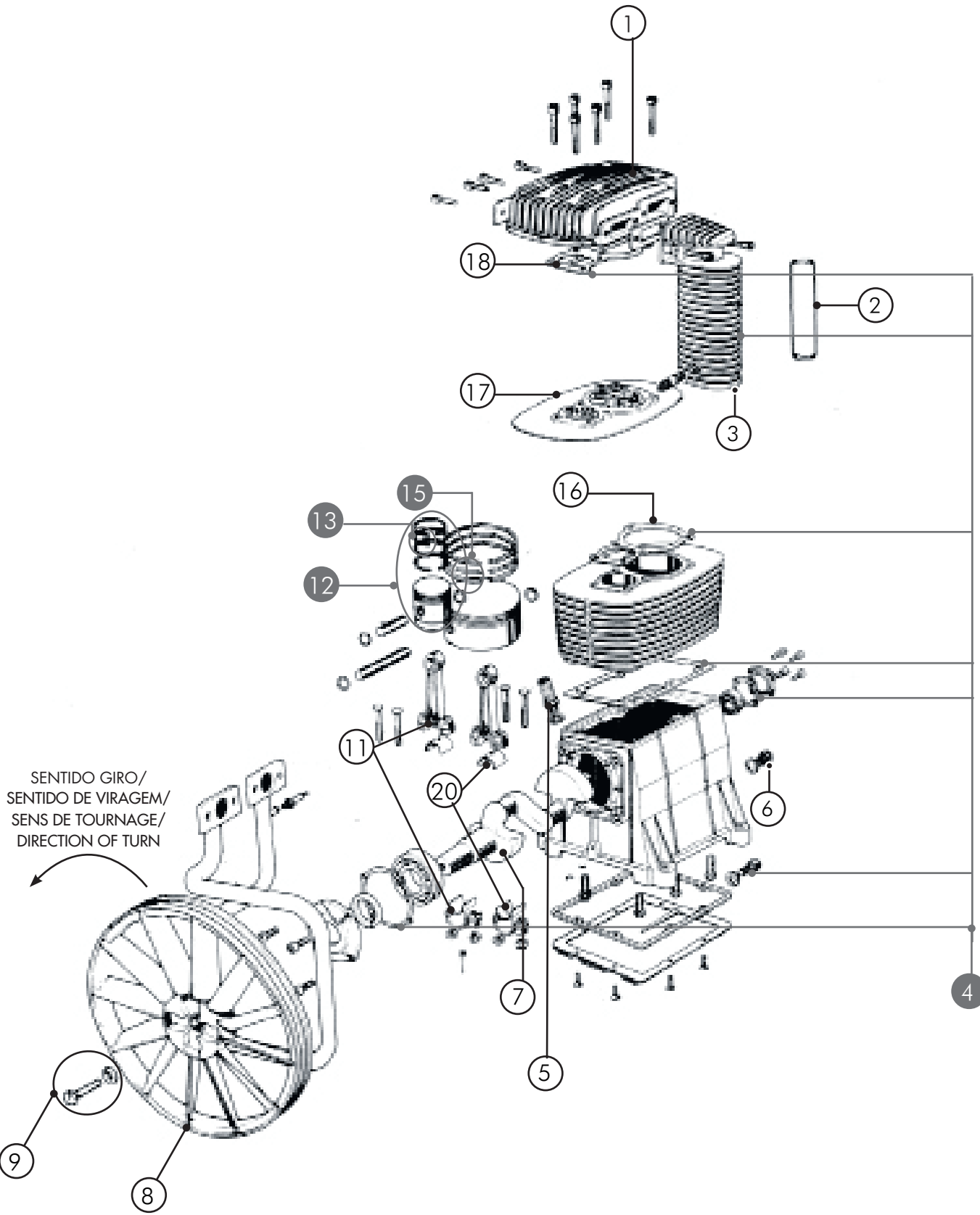
REF.	DESCRIPCIÓN	CODIGO	Nº PIEZAS
1	ES- MOTOR HONDA GX390 GASOLINA EN- HONDA ENGINE GX390 GASOLINE FR- HONDA ENGINE GX390 PT- HONDA MOTOR GX390 GASOLINE	2.300.460	1
2	ES- KIT PISTON ACELERADOR EN- ACCELERATOR PISTON KIT. FR- KIT DE PISTON D'ACCÉLÉRATEUR.PT- KIT DE PISTÃO ACELERADOR.	6.120.105	1
3	ES- TOBERA DE ESCAPE 3/4" EN- EXHAUST PIPE 3/4" FR- TUYAU D'ÉCHAPPEMENT 3/4" PT- TUBO DE ESCAPE 3/4"	6.120.085	1
4	ES- RACOR + GRIFO ACEITE GX390 EN- FACORTO OIL GX390 + TAP FR- FACORTO HUILE GX390 + TAP PT- FACURO ÓLEO GX390 + TOQUE	6.100.667 + 2.333.302	1
5	ES- TUBO POLIAMIDA 6 MM + FUNDA 10MM EN- POLYAMIDE TUBE + CASE 10MM FR- TUBE DE POLYAMIDE DE 6MM + ETUI 10MM PT- TUBO DE 6 MM DE POLIAMIDA + CASO 10MM	-	1
6	ES- KIT CABLES BATERIA EN- KIT BATTERY CABLES FR- KIT CÂBLES DE BATTERIE PT- KIT CABOS DE BATERIA	6.120.163	1
7	ES- CABEZAL M-700 EN- HEAD M-700 FR- DIRIGER M-700 PT- CABEÇAL M-700	1.100.46	1
8	ES- VALVULA START EN- VALVULA START FR- VALVULA START PT- VALVULA INICIAR	2.331.015	1
9*	ES- KIT RACOR + LATIGUILLO 1" EN- KIT FITTING + HOSE 1" FR- KIT RACCORD + TUYAU 1" PT- KIT FITTING + MANGUEIRA 1"	2.434.280 + 2.425.016	
10	ES- LATIGUILLO CARGA EN- CHARGE HOSE FR- TUYAU DE CHARGE PT- MANGUEIRA DE CARGA	6.100.366	1
11	ES- BASE EOLO 130 ALUMINIO EN- EOLO BASE 130 ALUMINIUM FR- EOLO BASE 130 ALUMINIUM PT- EOLO BASE 130 ALUMÍNIO	6.120.071	1
12	ES- SPOILER EN- SPOILER FR- DIVULGACHER PT- SPOILER	6.120.111	1
13	ES- AMORTIGUADOR EN- SHOCK ABSORBER FR- AMORTISSEUR PT- AMORTECEDOR	6.120.182	6
14	ES- VALVULA AUTOMATICA EN- AUTOMATIC VALVE FR- VANNE AUTOMATIQUE PT- VÁLVULA AUTOMÁTICA	2.300.016	1
15	ES- NIVEL EN- LEVEL FR- NIVEAU PT- NÍVEL	6.120.177	1

**B**

REF.	DESCRIPCIÓN	CODIGO	Nº PIEZAS
16	ES- BATERIA EN- BATTERY FR- BATTERIE PT- BATERIA	2.300.380	1
17	ES- PARRILLA EN- BELT PROTECTION FR- GRILLE DE PROTECTION MÉTALLIQUE PT- GRELHA DE PROTEÇÃO	6.120.075	1
18	ES- REFUERZO EN- REINFORCEMENT FR- RENFORT PT- REFORÇO	6.100.380	1
19	ES- REFUERZO PARRILLA EN- REINFORCEMENT GRILL. FR- RENFORT DE GRIL PT- REFORÇO DA GRADE	6.120.074	1
20	ES- TIRANTE PARRILLA M-700 EN- GRILL PULL M-700 FR- GRILL TIREZ M-700 PT- GRILL PULL M-700	6.120.153	1
21	ES- KIT POLEA MOTOR EN- KIT PULLEY MOTOR FR- KIT POULIE MOTOR PT- KIT POLIA MOTOR	6.100.342 + 6.100.331	1
22	ES- CORREA EN- STRAP FR- SANGLE PT- STRAP	6.100.168	2

**MÁS INFORMACIÓN DEL  
EOLO 130:**
**MORE INFORMATION,  
EOLO 130:**


1.100.46

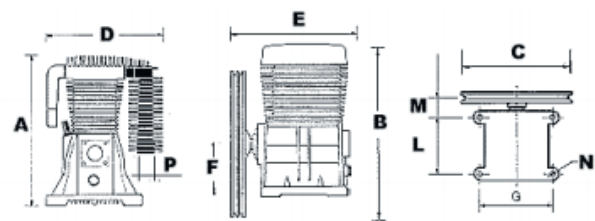


REF.	DESCRIPCIÓN	CODIGO	Nº PIEZAS
1	ES- CULATA EN- HEAD FR- BOUT PT- BUNDA	6.101.094	1
2	ES- CARTUCHO EN- CARTRIDGE FR- CARTOUCHE PT- CARTUCHO	6.101.097	1
3	ES- COLECTOR EN- MANIFOLD FR- COLLECTEUR PT- MÁŠTIPIO	6.101.029	1
4	ES- JUEGO JUNTAS EN- GASKET KIT FR- JEU ENSEMBLE PT- JOGO JUNTOS	6.101.095	1
5	ES- RESPIRADERO ACEITE EN- OIL BREATHER FR- RENIFLARD D'HUILE PT- RESPIRO DE ÓLEO	6.101.087	1
6	ES- VISOR DE ACEITE EN- OIL LEVEL FR- VOYANT D'HUILE PT- VIDRO DE VISUALIZAÇÃO DE ÓLEO	6.101.044	1
7	ES- CIGÜEÑAL EN- CRANKSHAFT FR- VILEBREQUIN PT- CABBOTA	6.101.367	1
8	ES- POLEA EN- PULLEY FR- POULIE PT- POLIA	6.101.066	1
9	ES- TORNILLO POLEA EN- PULLEY SCREW FR- VIS DE POULIE PT- PARAFUSO DE POLIA	6.101.300	1
10	ES- REFRIGERADOR ETAPAS EN- REFRIGERATOR STAGES FR- ÉTAGES DU RÉFRIGÉRATEUR PT- ESTÁGIOS DO FRIGORÍFICO	6.101.092	1
11	ES- BIELA EN- CONNECTING ROD FR- TIGE DE RACCORDEMENT PT- BIELA	6.101.353	2
12	ES- KIT PISTON BP. EN- PISTON BP KIT. FR- KIT PISTON BP. PT- KIT PISTÃO BP.	6.101.311	1
13	ES- KIT SEGMENTOS AP EN- AP PISTON KIT. FR- KIT SEGMENTS AP. PT- KIT SEGMENTOS AP.	6.101.306	1
15	ES- KIT SEGMENTOS BP. EN- BP SEGMENTS KIT. FR- KIT DE SEGMENTS BP. PT- KIT DE SEGMENTO BP.	6.101.311	1
16	ES- JUNTA CILINDRO EN- CYLINDER GASKET FR- CYLINDER GASKET PT- JIUNTA DO CILINDRO	6.101.090	1
17	ES- PLACA DE VALVULAS EN- VALVE PLATE FR- PLAQUE DE SOUPAPE PT- PLACA DE VÁLVULA	6.101.093	1

REF.	DESCRIPCIÓN	CODIGO	Nº PIEZAS
18	ES- JUNTA CULATA EN- CYLINDER HEAD GASKET FR- JOINT DE CULASSE PT- JUNTA DA CABEÇA DO CILINDRO	6.101.088	1
19	ES- BOTE 5L DE ACEITE EN- 5L CAN OF OIL FR- BIDON D'HUILE 5L PT- LATA 5L DE ÓLEO	2.300.264	1
20	ES- CASQUINO BIELA EN- CONNECTING ROD CASQUINO FR- DOUILLE DE BIELLE PT- BUCHA DA BIELA	6.101.345	4

**PLAN DE MANTENIMIENTO:**

	REVISION	CAMBIO	COD.
	100 Hrs.	500 Hrs.	2.300.109 6.101.151
	50 Hrs.	500 Hrs.	2.300.264
	/	1.000 Hrs.	6.101.093
	/	500 Hrs.	6.101.095

**COTAS CABEZAL M - 700**


DIMENSIONES

A	B	C	D	E	F	G	L	M	N	P
496	564	430	479	428	175	290	240	97	13	1 1/4" F

PESO CAJA 45

DIMENSIONES CAJA 431 x 531 x 577